



# 3" BORE ACCESSORIES



## MOUNTING NUTS

### Stud Nut

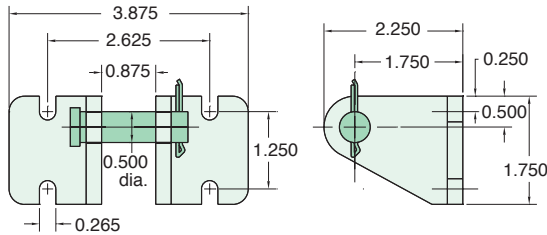
Part Number	Across Flats	Nut Thickness	Nut (Thread)
<b><u>N24-12</u></b>	2 1/4"	1/2"	1 1/2-12

### Rod Nut

Part Number	Across Flats	Nut Thickness	Nut (Thread)
<b><u>N08-20</u></b>	3/4"	5/16"	1/2-20

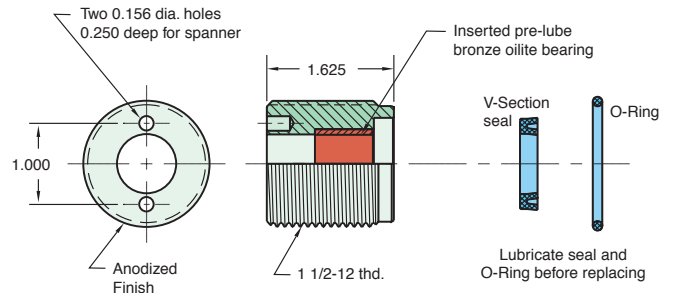
## **CB-4895**

Clevis Bracket  
Material: Steel, bright zinc plated



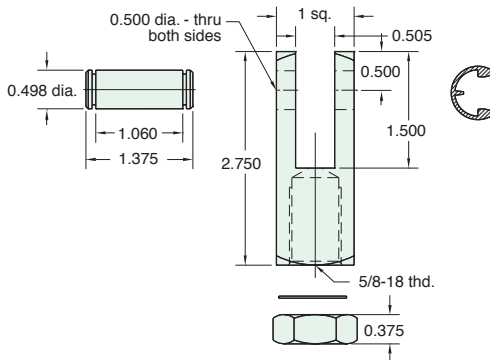
## **RK-4899**

Replaceable Rod Seal  
Material: aluminum body



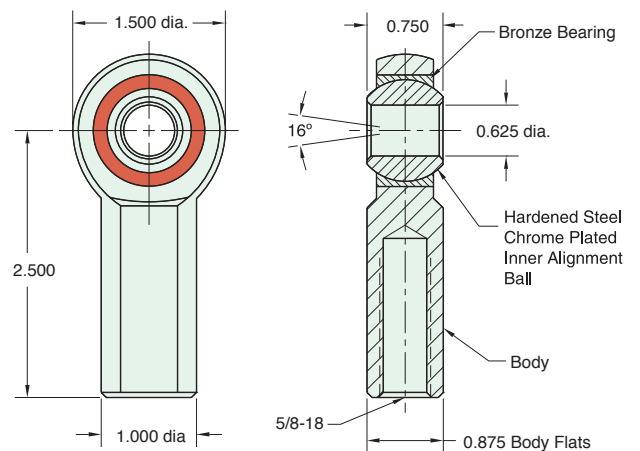
## **RC-4881**

Rod Clevis  
Material: Steel, electroless nickel plate



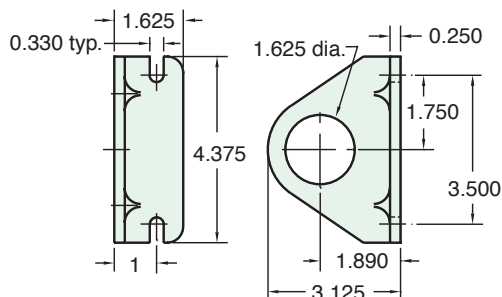
## **RE-4885**

Rod End  
Material: Steel, bright zinc plated body



## **FB-4891**

Foot Bracket  
Material: Steel, bright zinc plated



Lockwasher

Locknut

Max. Static Radial Load: 7400 lbs.  
Fits Rod Thread Size: 5/8-18